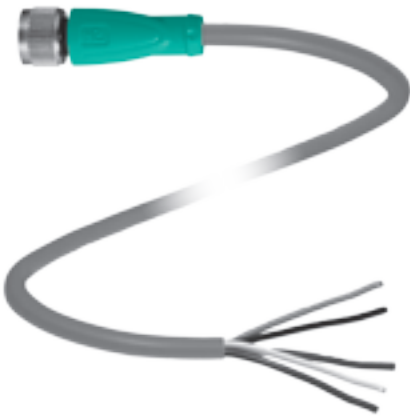


Sensor-actuator cable



Field-attachable connectors



Features

- Knurled nut suitable for tool mounting
- Mechanical detent for vibration protection
- Gold-plated and machined contacts
- Degree of protection: IP67 / IP68 / IP69K

Junction blocks

Sensor-actuator splitters

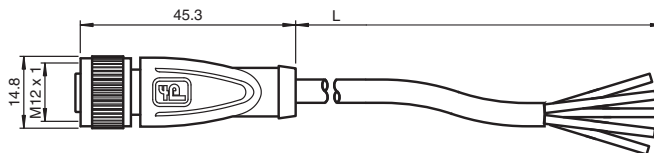
Sensor-actuator receptacles

Data connectors

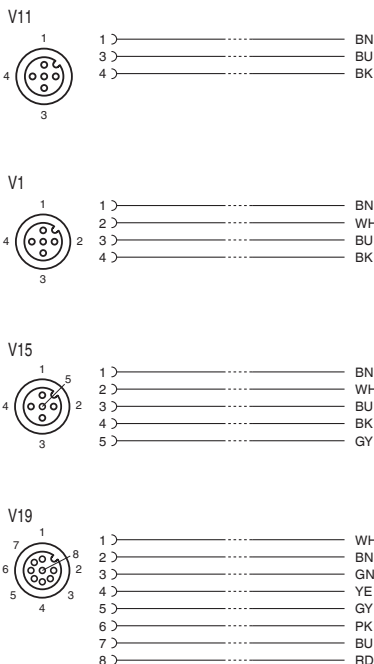
Technical data

Number of pins	3	4	5	8
Electrical data				
Operating voltage U_B	Max. 250 V AC/DC		Max. 60 V AC/DC	Max. 30 V AC/DC
Testing voltage	> 1500 V _{eff} AC			
Operating current	Max. 4 A			Max. 2 A
Volume resistance	< 5 mΩ			
Ambient conditions				
Ambient temperature	-40 ... 90 °C for body Information on cable quality can be found beginning on page 10			
Degree of pollution	3			
Mechanical data				
Contact elements	Spring-loaded contact sockets			
Degree of protection	IP67 / IP68 / IP69K			
Material				
Contacts	CuSn / Au			
Contact surface	Au			
Body	TPU, green			
Coupling nut	Die-cast zinc			
Approvals and certificates of compliance				
UL file number	E231213 Prerequisite for UL approval is the use of a UL-approved cable quality.			

Dimensions



Electrical connection



Order codes

Cable lengths in m
0.3 to 50

V . . . - G - . . . M -

Cable quality

- PVC	PVC, gray (0.34 mm ²)	V11	○	V1	○	V15	○	V19	-
BK PVC-U	PVC, UL-approved, black (0.34 mm ²)	V11	○	V1	○	V15	-	V19	-
YE PVC-U	PVC, UL-approved, yellow (0.34 mm ²)	V11	○	V1	○	V15	-	V19	-
- PUR	PUR, halogen-free, gray (0.34 mm ²)	V11	●	V1	●	V15	●	V19	-
BK PUR-U	PUR, halogen-free, UL-approved, black (0.34 mm ²)	V11	○	V1	○	V15	-	V19	-
YE PUR-U	PUR, halogen-free, UL-approved, yellow (0.34 mm ²)	V11	○	V1	○	V15	-	V19	-
BK PUR-U	PUR, halogen-free, UL-approved, black (0.25 mm ²)	V11	-	V1	-	V15	-	V19	●
BK PUR-U/0.75	PUR, halogen-free, UL-approved, black (0.75 mm ²)	V11	-	V1	-	V15	○	V19	-
- PUR H/S	PUR, halogen-free, irradiated, orange (0.34 mm ²)	V11	-	V1	○	V15	-	V19	-
OR POC	POC, welding bead resistant, orange (0.34 mm ²)	V11	-	V1	○	V15	-	V19	-

● Standard, cable lengths of 2 m, 5 m and 10 m available in stock
○ Available, minimum order quantity applies in some cases
- Not available

Number of pins

V11 3-pin
V1 4-pin
V15 5-pin
V19 8-pin



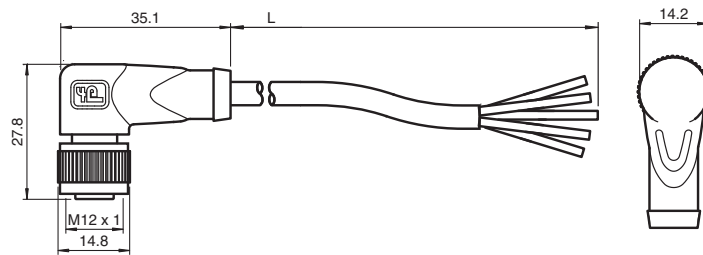
Features

- Knurled nut suitable for tool mounting
- Mechanical detent for vibration protection
- Gold-plated and machined contacts
- Degree of protection: IP67 / IP68 / IP69K

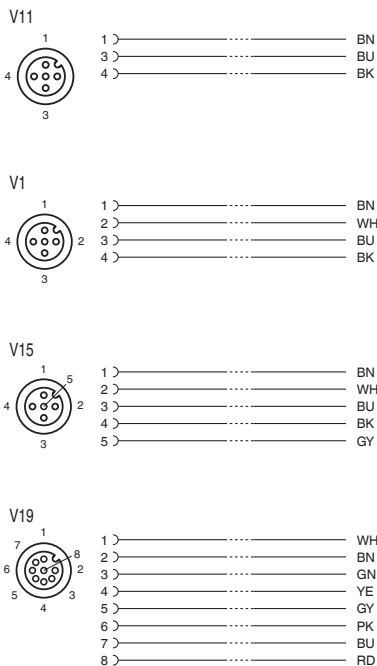
Technical data

Number of pins	3	4	5	8
Electrical data				
Operating voltage U_b	Max. 250 V AC/DC		Max. 60 V AC/DC	Max. 30 V AC/DC
Testing voltage	> 1500 V _{eff} AC			
Operating current	Max. 4 A			Max. 2 A
Volume resistance	< 5 mΩ			
Ambient conditions				
Ambient temperature	-40 ... 90 °C for body Information on cable quality can be found beginning on page 10			
Degree of pollution	3			
Mechanical data				
Contact elements	Spring-loaded contact sockets			
Degree of protection	IP67 / IP68 / IP69K			
Material				
Contacts	CuSn / Au			
Contact surface	Au			
Body	TPU, green			
Coupling nut	Die-cast zinc			
Approvals and certificates of compliance				
UL file number	E231213 Prerequisite for UL approval is the use of a UL-approved cable quality.			

Dimensions



Electrical connection



Order codes

